

TECHNICAL DATA



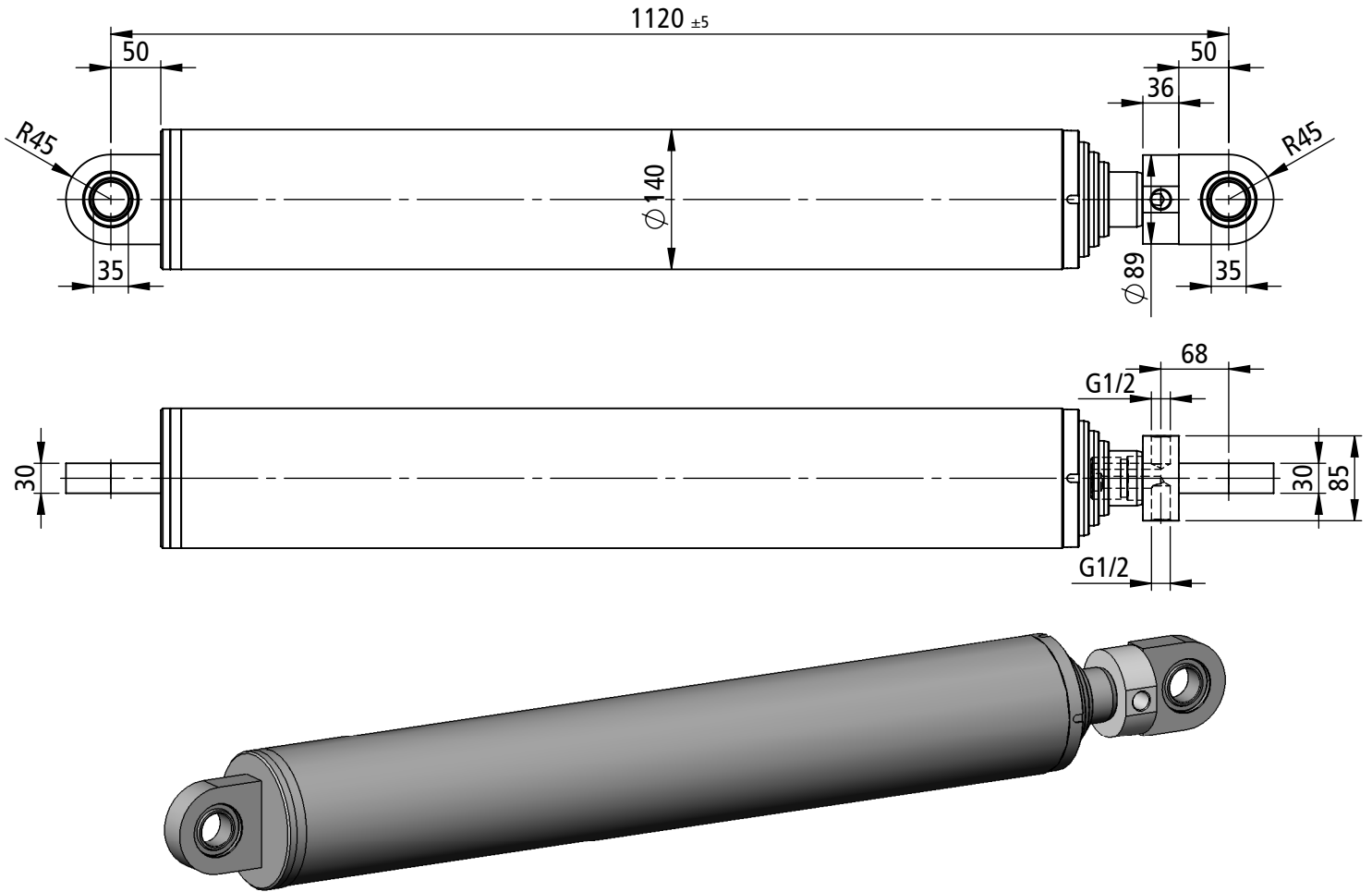
Double acting telescopic cylinder

Part Number

8209151154002

--

--



mounting dimension	1120 mm						total stroke	3020 mm			max pressure	200 bar	
model: DE 3020 115 4 CRN	code: 8209151154002						weight: 86 kg			1222 000720			
extension	1	2	3	4	-	-	-	-	--	--	number of stages: 4		
rod diameter [mm]	115	95	75	55	--	--	--	--	--	--			
bore diameter [mm]	125	100	80	60	--	--	--	--	--	--			
stroke [mm]	740	750	760	770	--	--	--	--	--	--	total: 3020 mm		
opening thrust [kN]	245	157	101	57	--	--	--	--	--	--			
retracting thrust [kN]	38	15	12	9	--	--	--	--	--	--			
opening oil [dm³]	9.1	5.9	3.8	2.2	--	--	--	--	--	--	total: 21.0 dm³		
retracting oil [dm³]	1.4	0.6	0.5	0.3	--	--	--	--	--	--	total: 2.8 dm³		

TECHNICAL NOTES AND SPECIFICATIONS

User responsibility. Incorrect selection or incorrect use of the here described component and its related items may cause death, personal injury and property damage. All the information here reported are intended for further investigations by users with technical knowledge. The user, as manufacturer of the completed machinery which will incorporate the here described components, is the solely responsible for the final selection of the components. The user must carry out necessary research and tests on components to determine whether, by its design and construction, all performance, endurance, maintenance, safety and warning requirements are met. The user must assure the compliance of the completed machinery with all appropriate laws, directives, norms, industry standards.

The cylinder has been designed to provide only a linear force. The cylinder is not a structural member and must not be used as a stabilizer or be subject to side or pulling load.

Double-acting telescopic cylinder. Always complete the opening or retracting operation before inverting the movement. In case of small loads the telescopic stages may opening or retracting out of ordinary sequence, but it is not a malfunctioning. These cylinders are not suitable to keep external loads in a fixed position for long duration. The cylinder will be heavily damaged in case of counterpressure in the hydraulic return line.

Never exceed the herein specified limits of the cylinder.

Cylinder rated pressure reflect only the capability of the pressure-containing envelope and not the force transmitting capability of mounting configurations.

Surface coatings are supplied on request. H.S.PENTA warranty does not apply to any kind of corrosion of coated or non-coated parts.

Maximum linear speed less than 0.5 m/s.

Hydraulic oil temperature admitted between -40°C and +100°C.

In case the cylinders must be stored, do not remove the package. Store them in a dry place, not exposed to rain. Do not store the cylinders for more than 6 months.

User shall pay attention to stroke length, loading and cylinder mounting in order to avoid bending or buckling of the cylinder at any position.

Chrome coating type CRN (40 h corrosion test ISO9227-rating 9 ISO10289 - minimum thickness 15 µm) on telescopic stages.

REMARKS

[2014.04.15] [----.---.---]

REVISIONS

01

02