



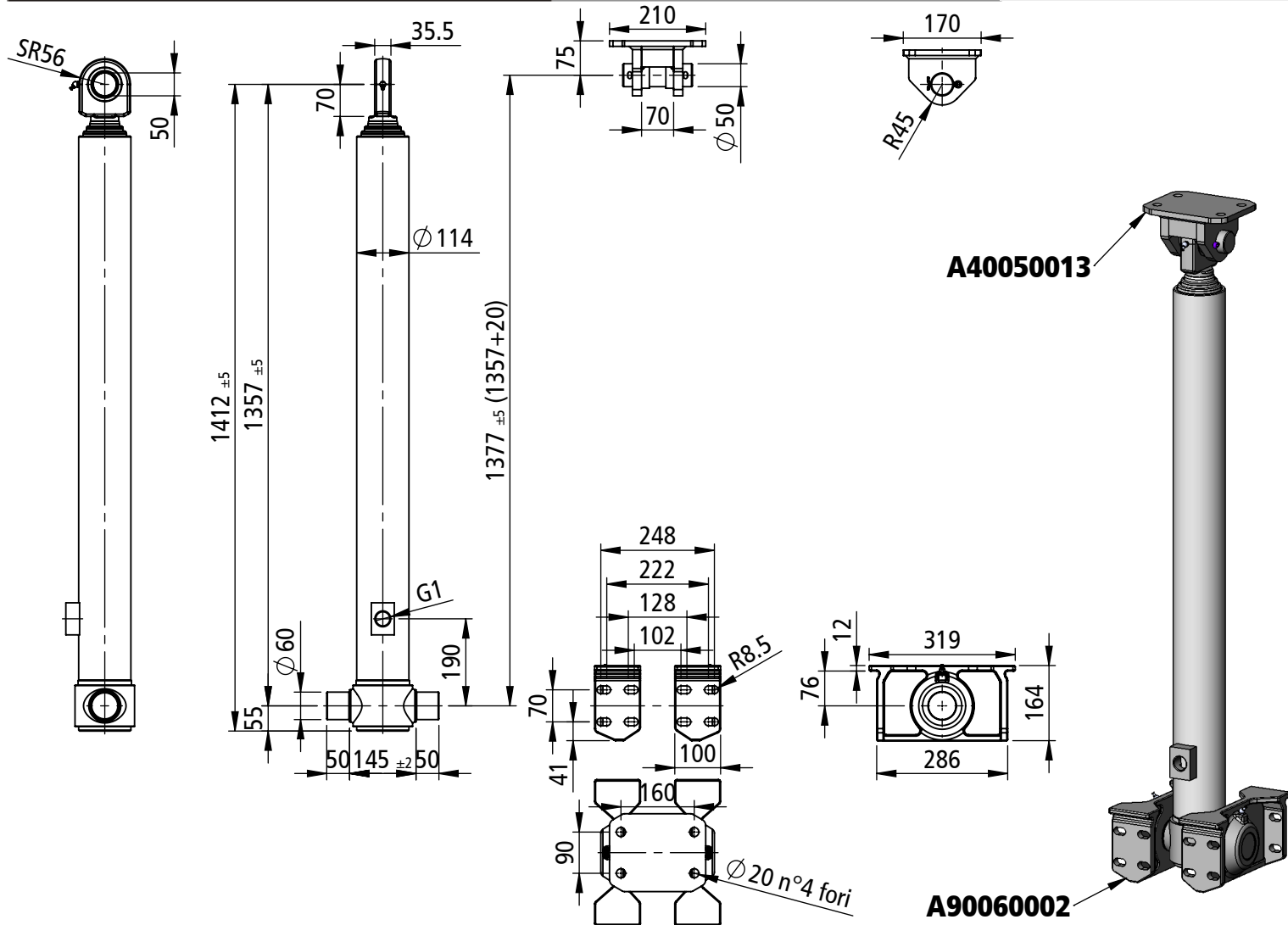
Front end cylinder, pins - eye (spherical bearing)

Part Number

**4112800953001**

Tipping weight

**15-35 ton**



mounting dimension	<b>1357 mm + 20 mm min pull out</b>	total stroke	<b>3300 mm</b>	max pressure	<b>250 bar</b>
model: HF 3300 95 3	code: 4112800953001	weight: 80 kg	1222 000720		

extension	1	2	3	-	-	-	-	-	-	-	number of stages: 3
diameter [mm]	95	80	65	--	--	--	--	--	--	--	
stroke [mm]	1095	1100	1105	--	--	--	--	--	--	--	total: 3300 mm
thrust [kN]	177	126	83	--	--	--	--	--	--	--	
oil [dm³]	7.8	5.5	3.6	--	--	--	--	--	--	--	total: 16.9 dm³

### TECHNICAL NOTES AND SPECIFICATIONS

- The normal application of telescopic cylinder is to lift up tipping bodies, loaded with different materials, and consequently discharge this material whilst the cylinder is extended all along its stroke.
- The body weight plus the max payload are the max tipping weight that can be raised by the cylinder. This value, calculated at the max pressure, is a rough indication of the tipping power of the cylinder and must be used as a first criteria for the selection of the cylinder. The real tipping mass can only be calculated by the design engineer of the dump truck, and must take into account the geometry of the dump body and operating conditions. Never exceed the maximum thrust.
- Never exceed maximum pressure.
- The cylinder has been designed for loads along the longitudinal axis: the cylinder is a lifting device only and may not be used as structural member or be subject to side load.
- Chrome coating type CRN (40 h corrosion test ISO 9227-rating 9 ISO 10289 / minimum thickness: 15 µm) on rod stage Ø65.
- H.S.PENTA warranty does not apply to any kind of corrosion of coated or non-coated parts. See terms of warranty.
- Maximum extension speed less than 0.2 m/s.
- Hydraulic oil temperature admitted between -40°C and +100°C.
- In case the cylinders must be stored, do not remove the package. Store them in a dry place, not exposed to rain. Do not store the cylinders for more than 6 (six) months.
- Further specifications see mounting instructions, hydraulic oil specification sheet, user & maintenance manual.
- Critical buckling load 118 kN fully extended cylinder.

REMARKS	[2012.10.04]	[2012.11.27]
Last stage Ø65 chromed (Elemento terminale Ø65 cromato)		

REVISIONS	
.	01
	02
	03
	04